

6 5 4 3 2 1

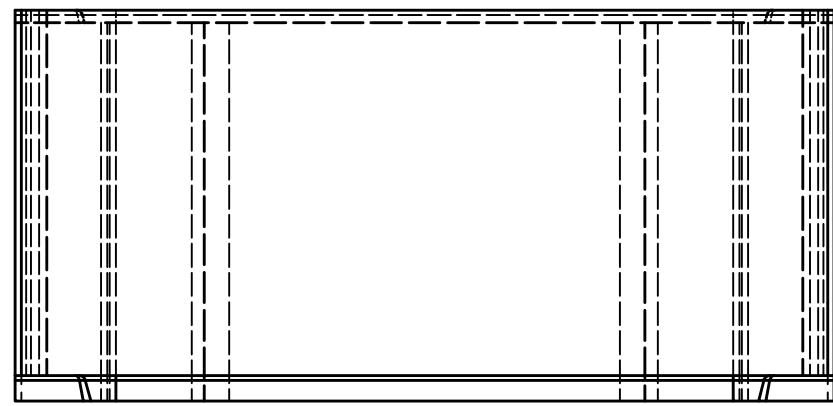
D D

C C

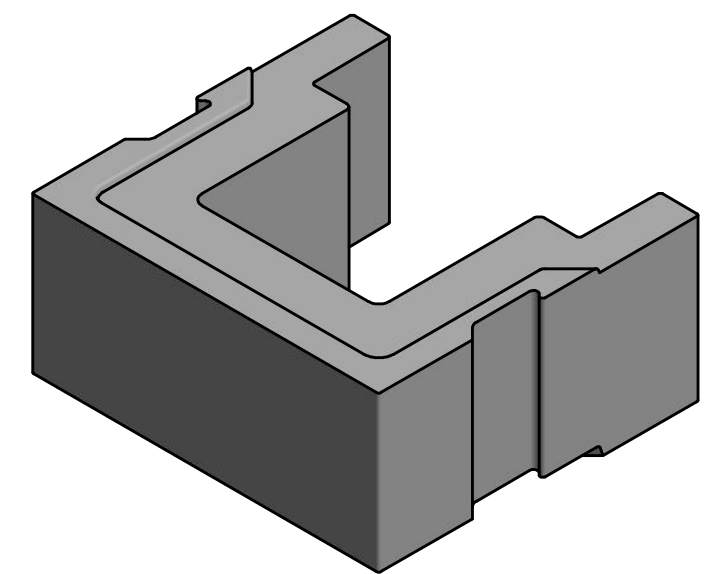
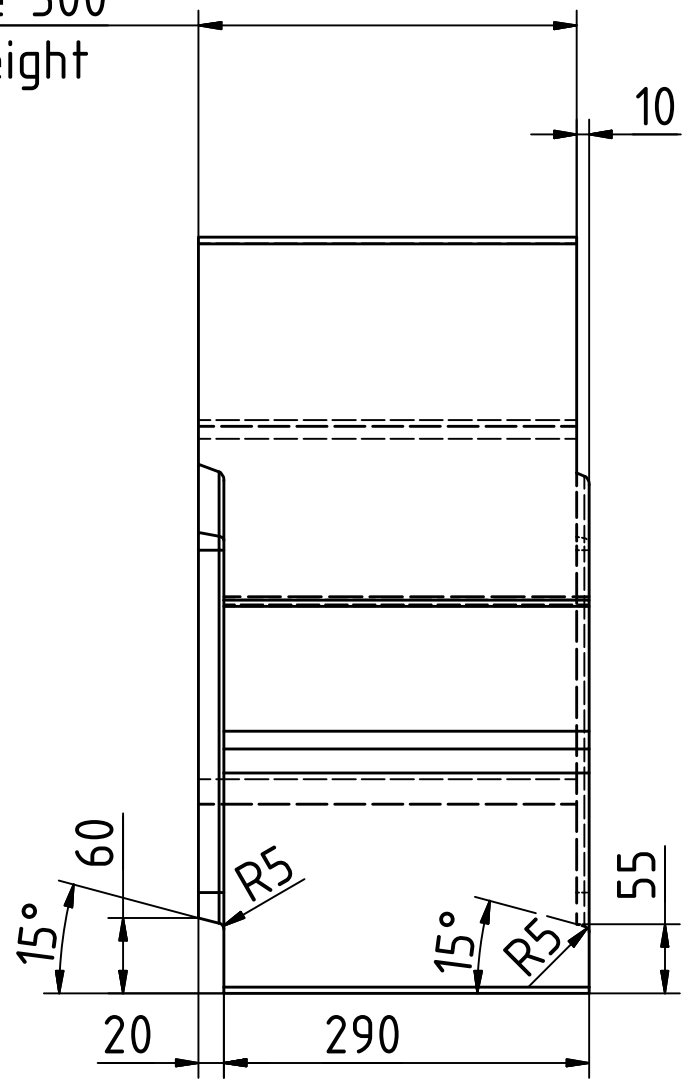
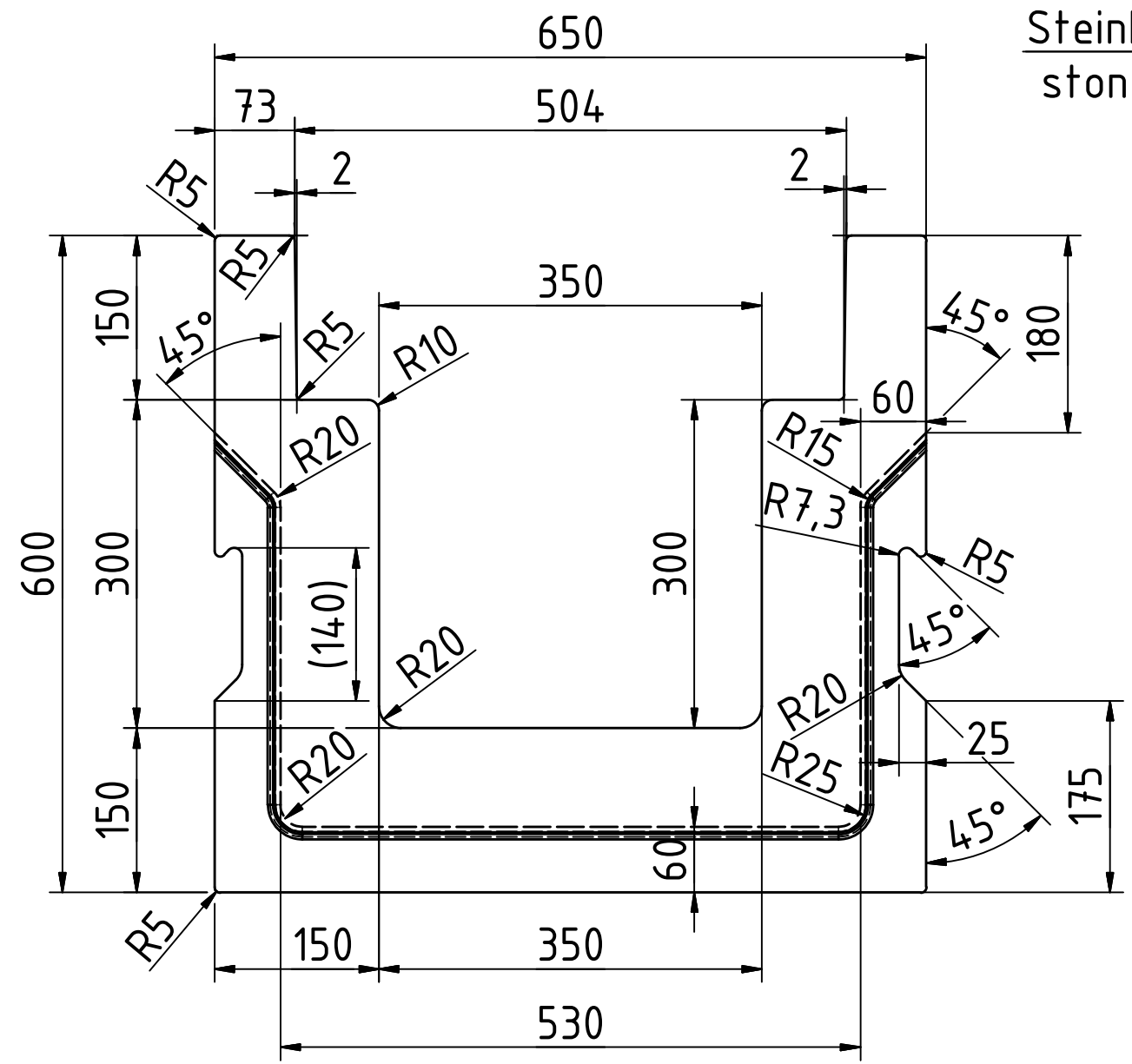
B B

A A

6 5 4 3 2 1



Steinhöhe 300
stone height



RAMPF Formen GmbH would like to point out specifically that technical characteristics of concrete blocks, design of concrete blocks, laying patterns of concrete blocks as well as further features of manufactured concrete blocks might be protected by any industrial property right (patents, petty patents, design patents, trademarks). A corresponding verification was not carried out by Rampf Formen GmbH. In this regard Rampf Formen GmbH will not assume any liability or any other responsibility.

Grundfläche:
surface:
Volumen:
volume: 74610,428 cm³

				D.090.50.040	
00 02.07.2015 JEberle Kundenwunsch 2 mm Schräge				Material: Beton Gewicht: 179,065 kg	
Zust.		Datum		Name	
Kunde		Datum		Name	
		Gezeichnet		24.04.2018 Szentesi V.	
		Kontrolliert			
		Norm			
Auftr. Nr.		RAMPF FORMEN GmbH		Benennung	
		Profile ID: 520181		Rinnenstein	
				65x60x30 cm (b x l x h)	
				Zeichnungs-Nr.	
				S.090.50.040.SH300	
				Blatt-Nr.:	
				1	
				A3	
				Alt Dok. - Dok.-Nr.	
				Maßstab: 1 : 6	